

**DESCRIPTION**

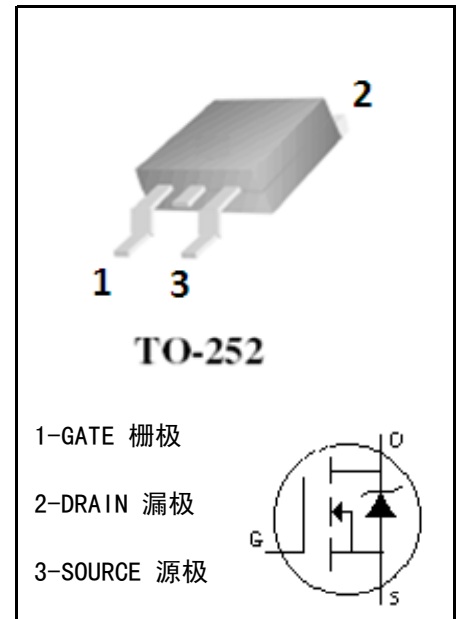
- ELECTRONIC BALLAST
- ELECTRONIC TRANSFORMER
- SWITCH MODE POWER SUPPLY

**FEATURES:**

- LOW THERMAL RESISTANCE
- HIGH INPUT RESISTANCE
- FAST SWITCHING
- ROHS COMPLIANT

**MAXIMUM RATINGS (T<sub>c</sub>=25°C)**

PARAMETER	SYMBOL	VALUE	UNIT
Drain-source Voltage	VDS	600	V
gate-source Voltage	VGS	±30	V
Continuous Drain Current (T <sub>C</sub> =25°C)	ID	7	A
Drain Current-Pulsed	IDM	28	A
Total Dissipation	PD	90	W
Junction Temperature	T <sub>j</sub>	150	°C
Storage Temperature	T <sub>stg</sub>	-55-150	°C
Single Pulse Avalanche Energy	EAS	230	mJ

**MECHANICAL**

**ELECTRONIC CHARACTERISTICS (T<sub>c</sub>=25°C)**

CHARACTERISTICS	SYMBOL	TEST CONDITION	MIN	MAX	UNIT
Drain-source Breakdown Voltage	BVDSS	VGS=0V, ID=250 μ A	600		V
Gate Threshold Voltage	VGS (TH)	VGS=VDS, ID=250 μ A	2	4	V
Drain-source Leakage Current	IDSS	VDS=600V, VGS=0V		1	uA
Drain-Source Diode Forward Voltage	VSD	VGS=0V, IS=7A		1.4	V
Gate-body Leakage Current (VDS= 0)	IGSS	VGS=±30V		±100	nA
Forward Transconductance	gfs	Vds=10V Id=3.5A	1		S
Static Drain-source On Resistance	RDS (ON)	VGS=10V, ID=3.5A		1.2	Ω
Thermal Resistance Junction-case	RthJ-c			2.5	°C/W

**■ DYNAMIC CHARACTERISTICS (T<sub>c</sub>=25°C)**

CHARACTERISTICS	SYMBOL	TEST CONDITION	MIN	TYP	MAX	UNIT
Input Capacitance	C <sub>iss</sub>	V <sub>DS</sub> =25V, V <sub>GS</sub> =0V, f=1.0MHz	-	1080	-	pF
output Capacitance	C <sub>oss</sub>		-	110	-	pF
Reverse Transfer Capacitance	C <sub>rss</sub>		-	12.6	-	pF

**■ SWITCHING CHARACTERISTICS (T<sub>c</sub>=25°C)**

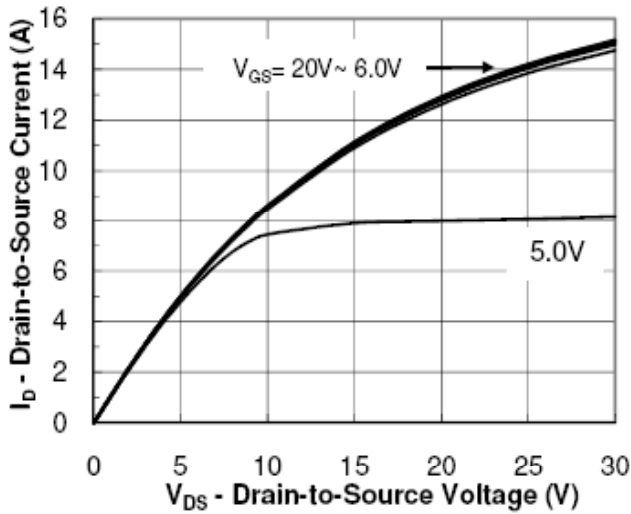
CHARACTERISTICS	SYMBOL	TEST CONDITION	MIN	TYP	MAX	UNIT
Turn-On Delay Time	t <sub>d(on)</sub>	V <sub>DD</sub> =300V, I <sub>D</sub> =7.0A, R <sub>G</sub> =25Ω	-	20	-	ns
Turn-On Rise Time	t <sub>r</sub>		-	60	-	ns
Turn-Off Delay Time	t <sub>d(off)</sub>		-	81	-	ns
Turn-Off Rise Time	t <sub>f</sub>		-	60	-	ns
Total Gate Charge	Q <sub>g</sub>	V <sub>DS</sub> =480V, I <sub>D</sub> =7.0A, V <sub>GS</sub> =10V	-	26	-	nC
Gate-Source Charge	Q <sub>gs</sub>		-	6	-	nC
Gate-Drain Charge	Q <sub>gd</sub>		-	9.2	-	nC

**■ DRAIN-SOURCE DIODE MAXIMUM RATINGS AND CHARACTERISTICS (T<sub>c</sub>=25°C)**

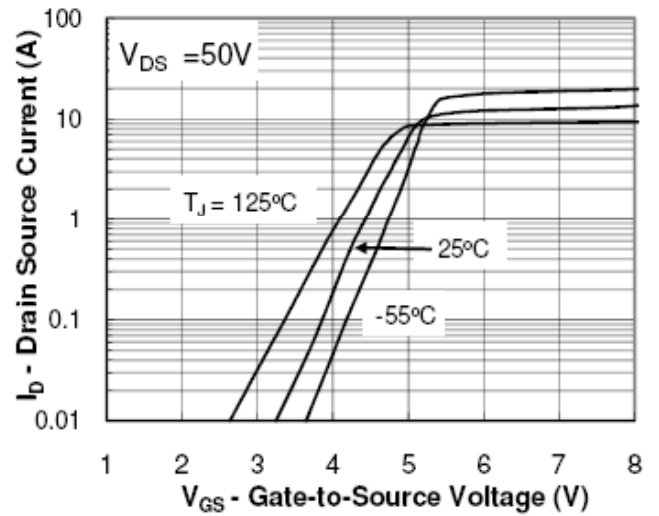
CHARACTERISTICS	SYMBOL	TEST CONDITION	MIN	TYP	MAX	UNIT
Max. Diode Forward Current	I <sub>S</sub>		-	-	7	A
Max. Pulsed Forward Current	I <sub>SM</sub>		-	-	28	A
Diode Forward Voltage	V <sub>SD</sub>	V <sub>GS</sub> =0V, I <sub>S</sub> =7.0A	-	-	1.4	V
Reverse Recovery Time	t <sub>rr</sub>	V <sub>GS</sub> =0V, I <sub>S</sub> =7.0A, dI <sub>F</sub> /dt=100A/μs	-	360	-	ns
Reverse Recovery Charge	Q <sub>rr</sub>		-	3.4	-	μC



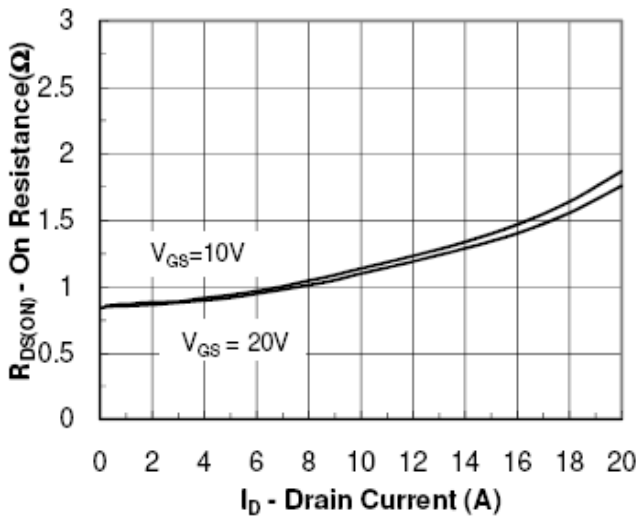
CHARACTERISTICS CURVE



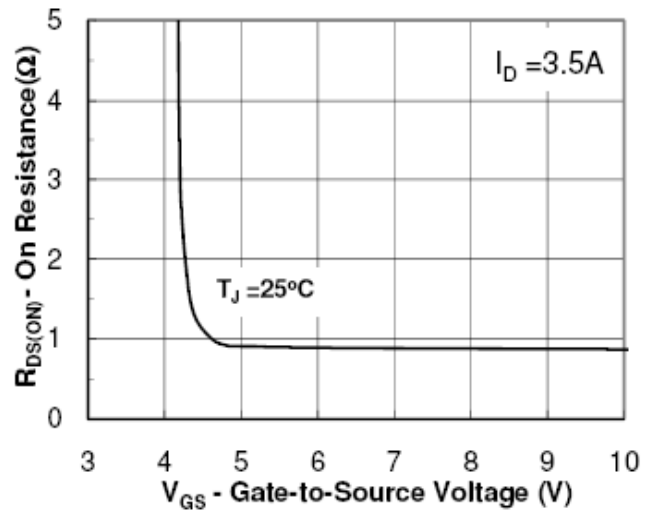
Output Characteristic



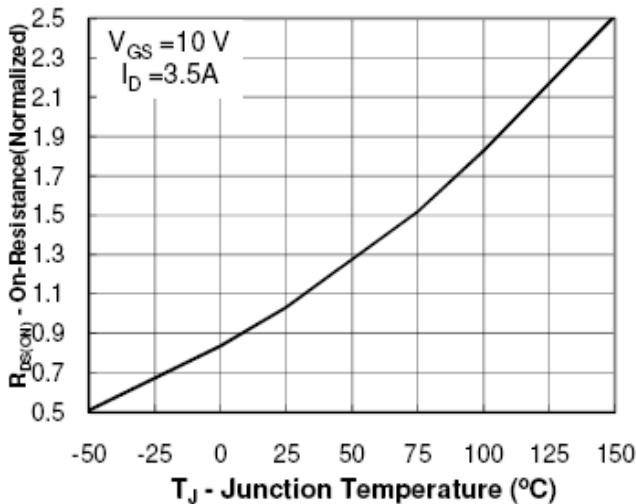
Transfer Characteristic



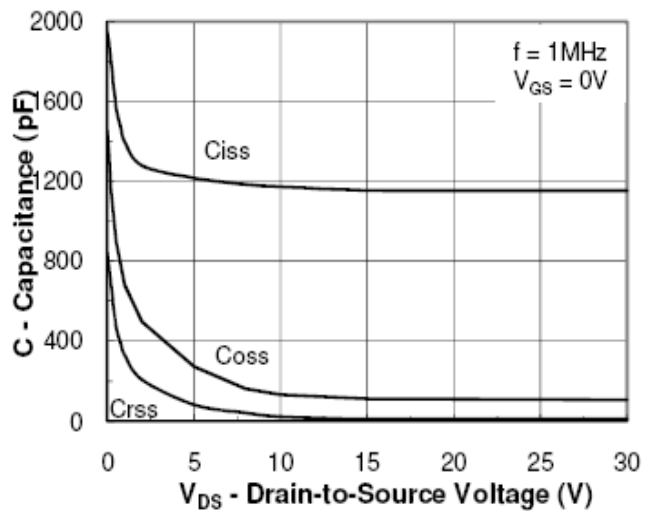
On Resistance Vs Drain Current



On Resistance Vs Gate Source Voltage



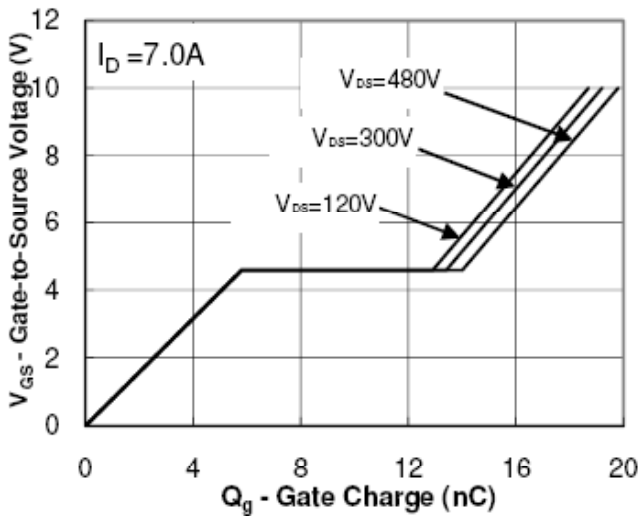
On Resistance Vs Junction Temperature



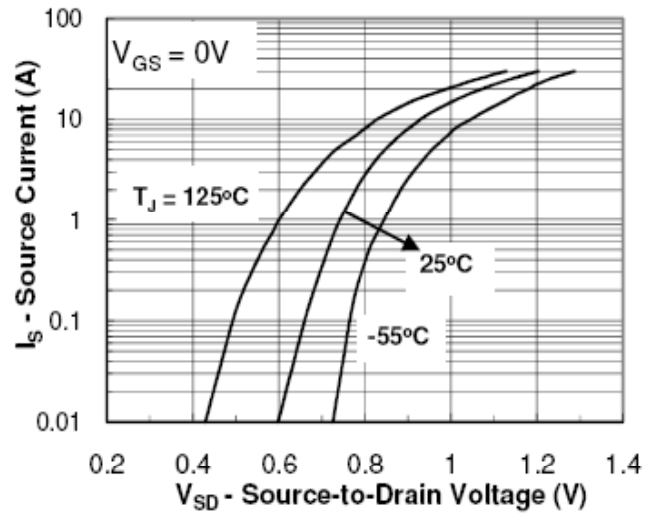
Capacitance



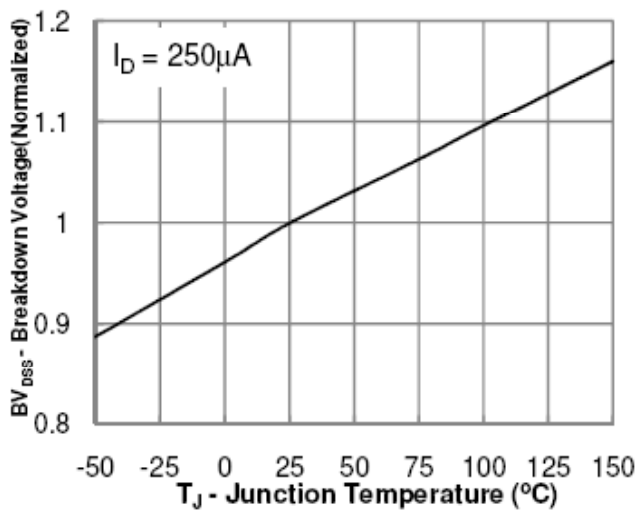
CHARACTERISTICS CURVE



Gate Charge Waveform



Source-Drain Diode Forward Voltage



Breakdown Voltage Vs Junction Temperature



TO-252 MECHANICAL DATA

UNIT: mm

SYMBOL	MIN	NOM	MAX	SYMBOL	MIN	NOM	MAX
A	2.10		2.50	E	5.80		6.30
B	0.80		1.25	e1	2.25	2.30	2.35
b	0.50		0.85	e2	4.45		4.75
b1	0.50		0.90	L1	9.50		10.20
b2	0.45		0.60	L2	0.90		1.45
C	0.45		0.60	L3	0.60		1.10
D	6.35		6.75	K	-0.1		0.10
D1	5.10		5.50				

