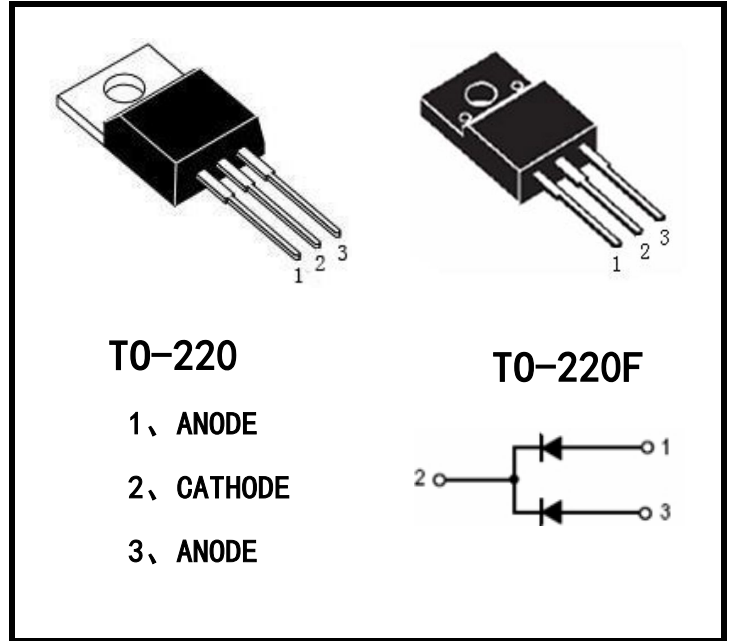


## FEATURES

- \* Schottky Barrier Chip
- \* Guard Ring Die Construction for Transient Protection
- \* Low Power Loss, High Efficiency
- \* High Surge Capability
- \* High Current Capability and Low Forward Voltage Drop
- \* For Use in Low Voltage, High Frequency Inverters, Free Wheeling, and Polarity Protection Applications

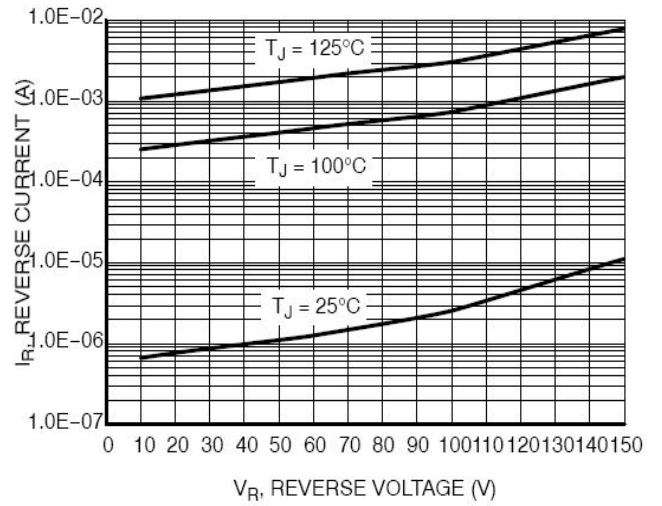
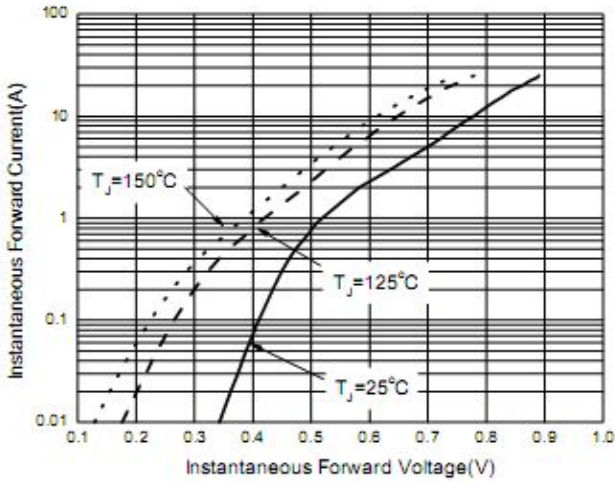
## PACKAGE



## ELECTRICAL CHARACTERISTICS (T<sub>amb</sub>=25°C)

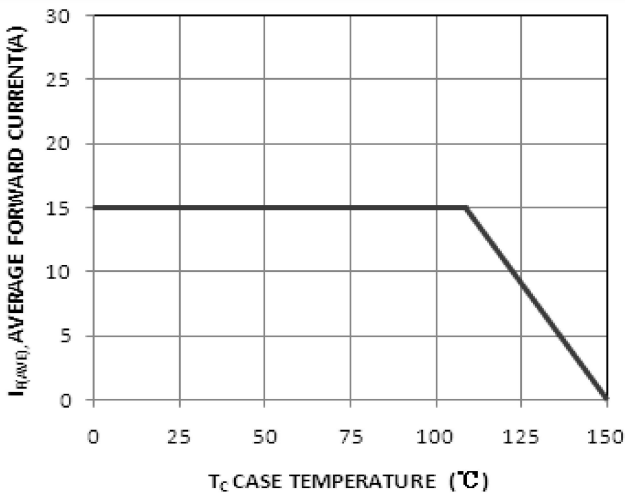
Characteristic	Symbol	Value	Unit	
Peak Repetitive Reverse Voltage	V <sub>RRM</sub>	150	V	
Working Peak Reverse Voltage	V <sub>RWM</sub>			
DC Blocking Voltage	V <sub>R</sub>			
Average Rectified Output Current	I <sub>F(per leg)</sub>	15	A	
	I <sub>F(Total)</sub>	30		
Non-Repetitive Peak Surge Current (Surge applied at rated load conditions halfwave, single phase, 60Hz)	I <sub>FSM</sub>	275	A	
Maximum Instantaneous Forward Voltage @I <sub>F</sub> =15A, T <sub>C</sub> =25°C	V <sub>F</sub>	0.9	V	
		@I <sub>F</sub> =15A, T <sub>C</sub> =125°C		0.82
Peak Reverse Current @T <sub>C</sub> =25 °C at Rated DC Blocking Voltage @T <sub>C</sub> =125°C	I <sub>R</sub>	0.1 6	mA	
Operating and Storage Temperature Range	T <sub>J</sub> , T <sub>STG</sub>	-65 to +150	°C	
Maximum Thermal Resistance	θ <sub>JC</sub>	T0-220	2	°C/W
		T0-220F	3	
	θ <sub>JA</sub>	T0-220	60	
		T0-220F	60	

**Characteristics Curves**



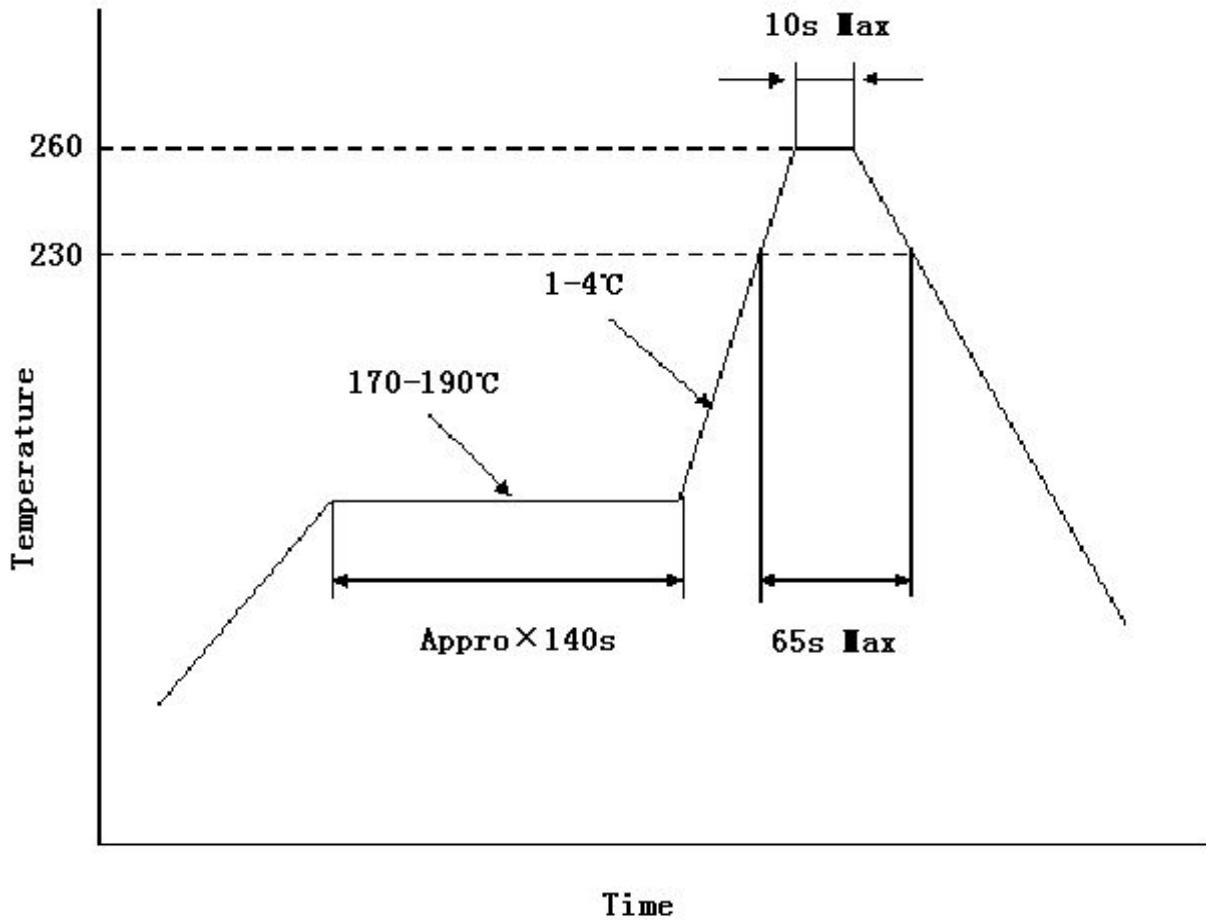
**Typical Forward Voltage Per Diode**

**Typical Reverse Current Per Diode**



**Average Forward Forward Current vs. Case Temperature Per Diode**

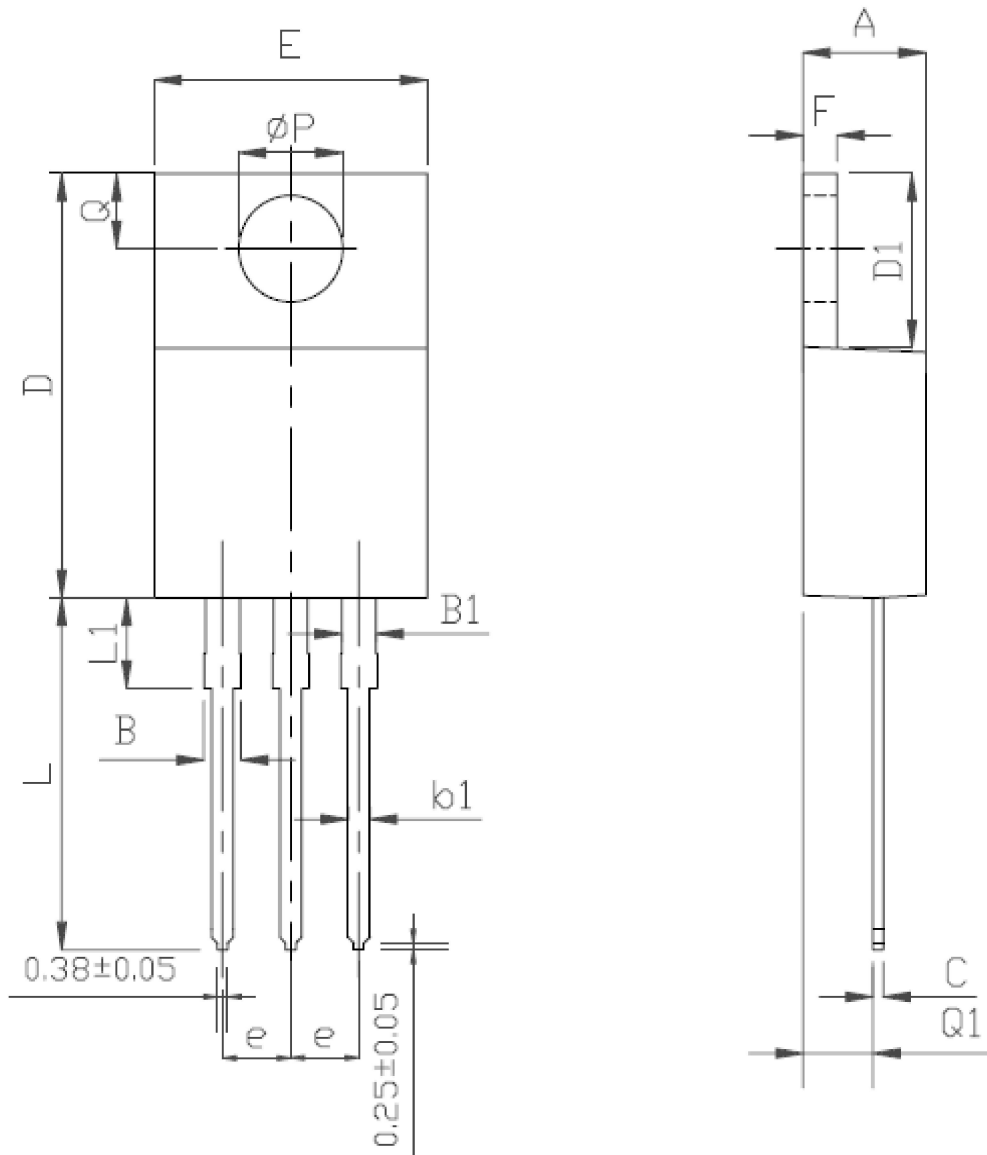
### ■ Reflow Soldering Temperature Profile



**TO-220 MECHANICAL DATA**

UNIT: mm

SYMBOL	MIN	NOM	MAX	SYMBOL	MIN	NOM	MAX
A	4		4.8	e	2.44	2.54	2.64
B	1.2		1.4	F	1.1		1.4
B1	1		1.4	L	12.5		14.5
b1	0.75		0.95	L1	3	3.5	4
c	0.4		0.55	ΦP	3.7	3.8	3.9
D	15		16.5	Q	2.5		3
D1	5.9		6.9	Q1	2		2.9
E	9.9		10.7				



**TO-220F MECHANICAL DATA**

UNIT: mm

SYMBOL	MIN	NOM	MAX	SYMBOL	MIN	NOM	MAX
A	4.5		4.9	E1	6.5	7	7.5
A1	2.3		2.9	e	2.44	2.54	2.64
b	0.65		0.9	L	12.5		14.3
b1	1.1		1.7	L1	9.45		10.05
b2	1.2		1.4	L2	15		16
c	0.35		0.65	L3	3.2		4.4
D	14.5		16.5	ΦP	3		3.3
D1	6.1		6.9	Q	2.5		2.9
E	9.6		10.3				

